

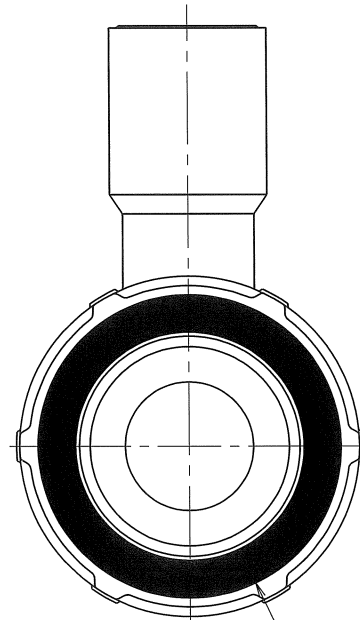
SIZE	P	L ₁	L ₂	H ₁	H ₂	W	D	Q, TY
13 Su	10	78	70	87	44	100	33	
20 Su	15	90	80	91	45	100	38	
25 Su	20	97	85	101	46	130	47	
30 Su	20	99	85	101	42	130	54	
40 Su	25	108	90	104	41	130	64	

NJSR

SPEC.		TEST PRESS.	
FLUID		SHELL	HYDRO 3.5 MPa
PRESS.	MAX MPa	SEAT	AIR 0.6 MPa
TEMP.	MAX ℃	AIR	MPa

No.3 13Su MATERIAL : SUS 304
*MODIFIED P.T.F.E.

No.	NAME OF PARTS	Q.TY	MATERIALS	REMARKS
17	O RING	1	FKM	
16	LOOSE STOPPER	2	SUS 304CSP	
15	RUBBER PACKING	2	SYNTHETIC RUBBER (NJSR)	
14	RATCHET NUT	2	SCS 13	
13	HEXAGON NUT	1	SUS 304	
12	SPRING WASHER	1	SUS 304	
11	HANDLE	1	SUS 304	
10	GLAND PACKING	1	P.T.F.E.	
9	BEARING	1	P.T.F.E.	CARBON FILLED
8	GASKET PACKING	2	P.T.F.E.	
7	BALL SEAT	2	P.T.F.E.	*
6	WASHER	1	SUS 304CSP	
5	GLAND BUSHING	1	SCS 13	
4	STEM	1	SUS 304	
3	BALL DISC	1	SCS 13A	
2	BODY CAP	2	SCS 13	
1	BODY	1	SCS 13	



ナット端面赤色スタンプ
※反対側のナットも同様

NAME	NICE JOINT ENDS REDUCED BORE LONG NECK TYPE MINI BALL VALVES		
TYPE	NJX-200	SIZE	13~40Su
DMG.No.	XBAMS-0019◇	DATE	NOV. 6. 2023
THIRD ANGLE PROJECTION METHOD	SCALE :		

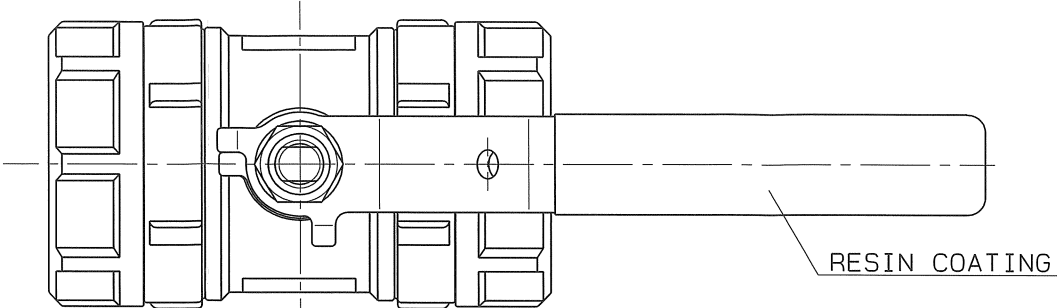
APPROVED	CHECKED	DESIGNED	DRAWN

O. N. INDUSTRIES LTD.

◇ 0200-SWBX 'ON' OMO

NJSR

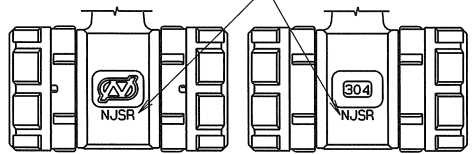
SIZE	P	L ₁	L ₂	H ₁	H ₂	W	D	Q, TY
50 Su	32	125	105	119	41	170	72	
60 Su	40	139	115	125	40	170	87	



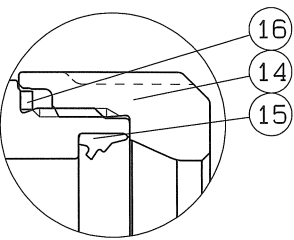
RESIN COATING

SPEC.		TEST PRESS.	
FLUID		SHELL	HYDRO 3.5 MPa
PRESS.	MAX MPa	SEAT	AIR 0.6 MPa
TEMP.	MAX ℃	AIR	MPa

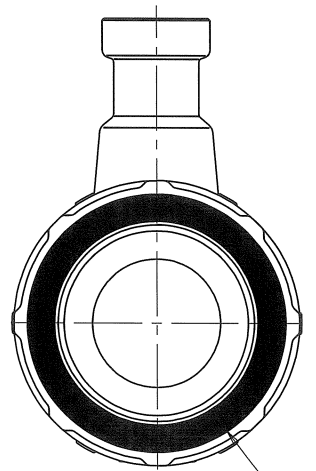
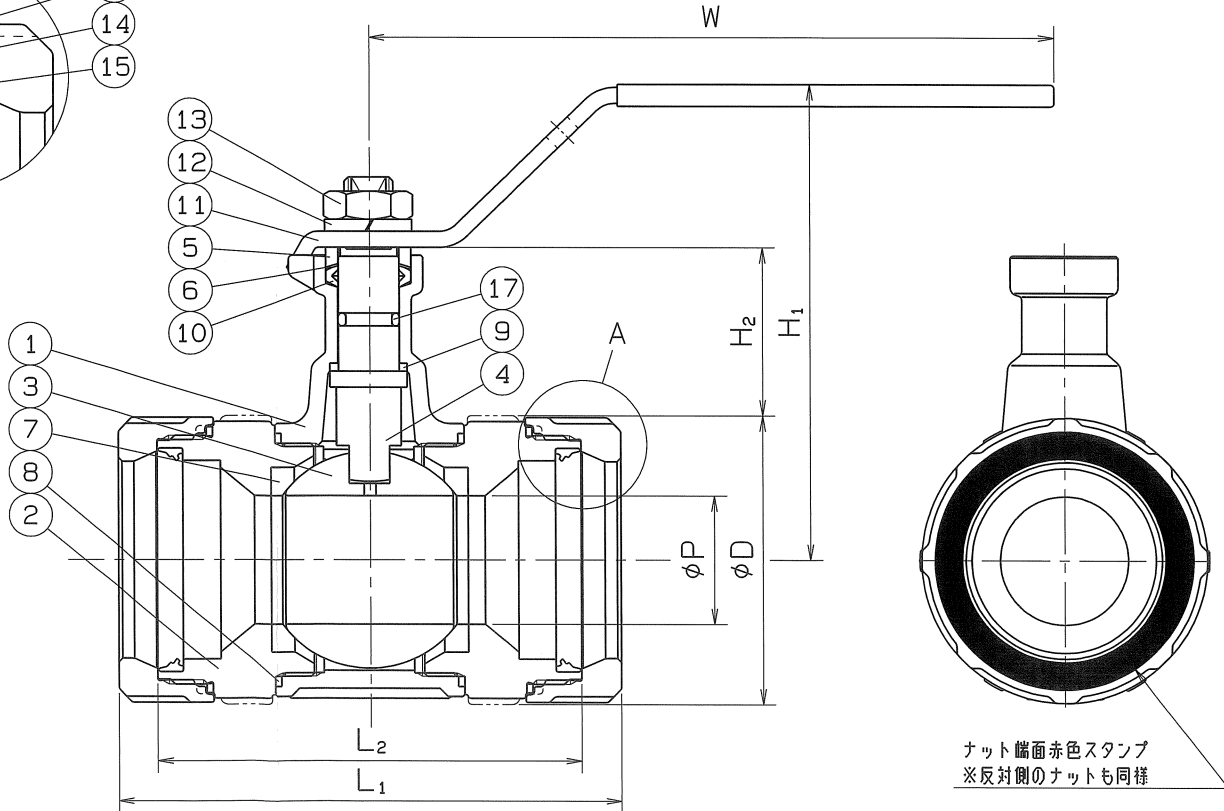
"NJSR" 赤色スタンプ



外観図



A部詳細図



ナット端面赤色スタンプ
※反対側のナットも同様

*MODIFIED P.T.F.E.

17	O RING	1	FKM	
16	LOOSE STOPPER	2	SUS 304CSP	
15	RUBBER PACKING	2	SYNTHETIC RUBBER (NJSR)	
14	RATCHET NUT	2	SCS 13	
13	HEXAGON NUT	1	SUS 304	
12	SPRING WASHER	1	SUS 304	
11	HANDLE	1	SUS 304	
10	GLAND PACKING	1	P.T.F.E.	
9	BEARING	1	P.T.F.E.	CARBON FILLED
8	GASKET PACKING	2	P.T.F.E.	
7	BALL SEAT	2	P.T.F.E.	*
6	WASHER	1	SUS 304CSP	
5	GLAND BUSHING	1	SUS 304	
4	STEM	1	SUS 304	
3	BALL DISC	1	SCS 13A	
2	BODY CAP	2	SCS 13	
1	BODY	1	SCS 13	

No.	NAME OF PARTS	Q.TY	MATERIALS	REMARKS
NAME NICE JOINT ENDS REDUCED BORE LONG NECK TYPE MINI BALL VALVES				
TYPE NJX-200		SIZE	50, 60 Su	
DNG.No. XBAMS-0020◇		DATE	NOV. 6. 2023	
THIRD ANGLE PROJECTION METHOD		SCALE		

APPROVED	CHECKED	DESIGNED	DRAWN

O. N. INDUSTRIES LTD.