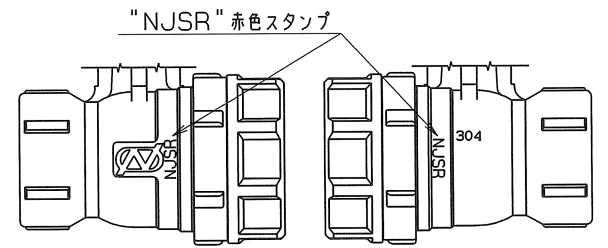
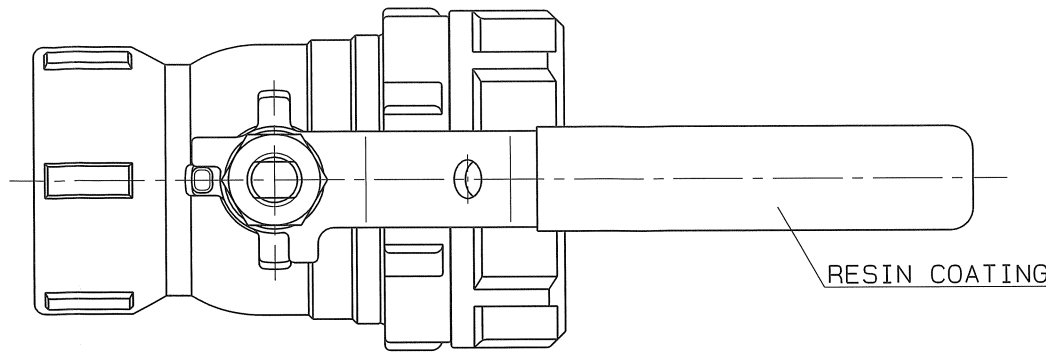


◇ 1E00-SWVBX 'ON' 9MO

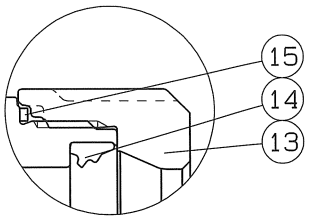
NJSR

Q. TY: \_\_\_\_\_

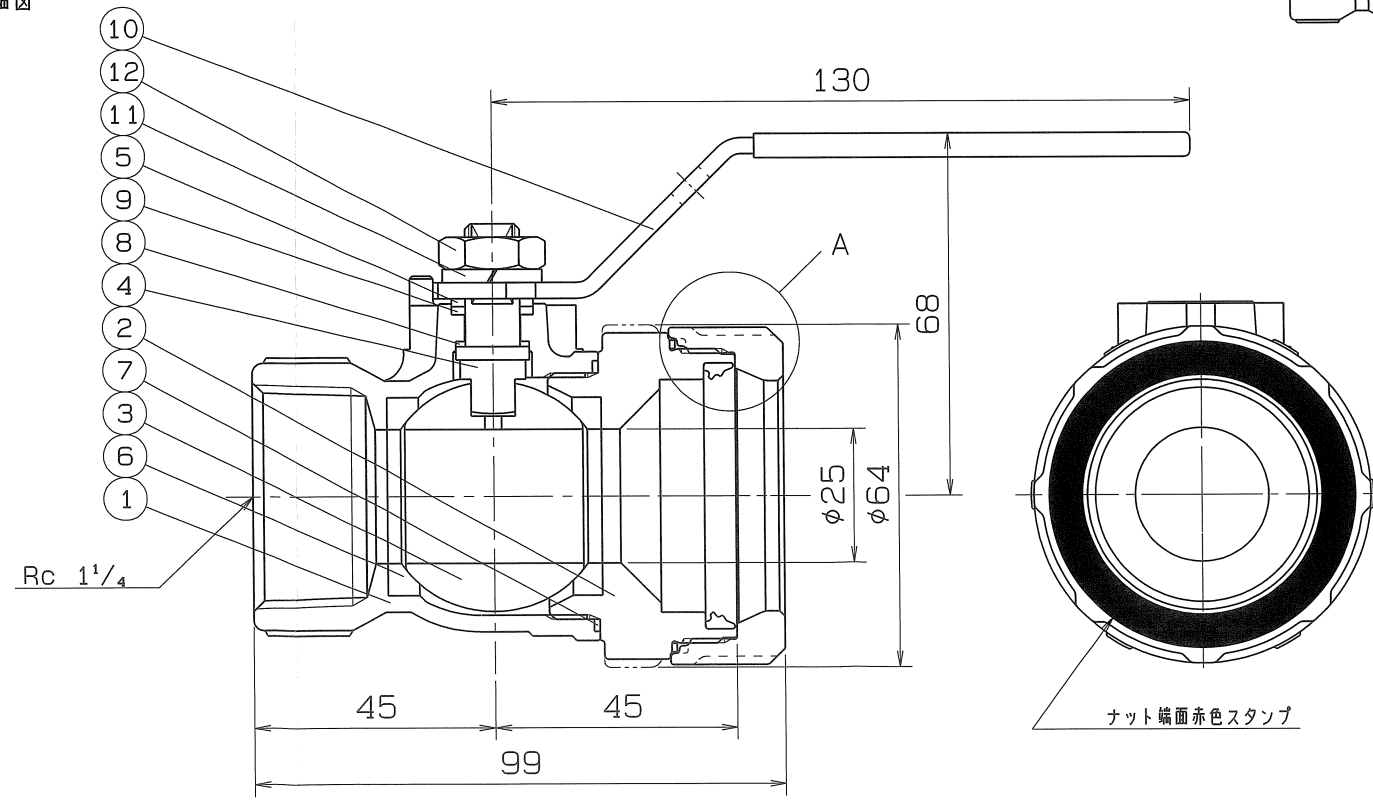
SPEC.			TEST PRESS.	
FLUID			SHELL HYDRO	3.5 MPa
PRESS.	MAX	MPa	SEAT AIR	0.6 MPa
TEMP.	MAX	℃	AIR	MPa



外観図



A部詳細図



PIPE THREADS CONFORM WITH "JIS B 0203"  
\*MODIFIED P.T.F.E.

No.	NAME OF PARTS	Q. TY	MATERIALS	REMARKS
15	LOOSE STOPPER	1	SUS 304CSP	
14	RUBBER PACKING	1	SYNTHETIC RUBBER (NJSR)	
13	RATCHET NUT	1	SCS 13	
12	HEXAGON NUT	1	SUS 304	
11	SPRING WASHER	1	SUS 304	
10	HANDLE	1	SUS 304	
9	THRUST BEARING	1	P.T.F.E.	CARBON FILLED
8	THRUST PACKING	1	P.T.F.E.	CARBON FILLED
7	GASKET PACKING	1	P.T.F.E.	
6	BALL SEAT	2	P.T.F.E.	*
5	GLAND	1	SUS 316	
4	STEM	1	SUS 316	
3	BALL DISC	1	SCS 13A	
2	BODY CAP	1	SCS 13	
1	BODY	1	SCS 13	

NAME	NICE JOINT AND SCREWED ENDS MINI BALL VALVES		
TYPE	NJX-610	SIZE	40 Su
DWG.No.	XBAMS-0031	DATE	NOV. 6. 2023.
THIRD ANGLE PROJECTION METHOD	SCALE _____		

APPROVED	CHECKED	DESIGNED	DRAWN

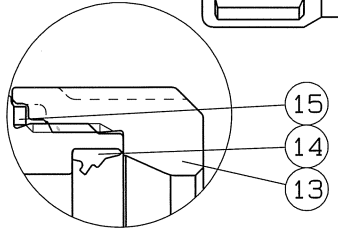
O. N. INDUSTRIES LTD.


◇ 2E00-SVAVBX '09'9M

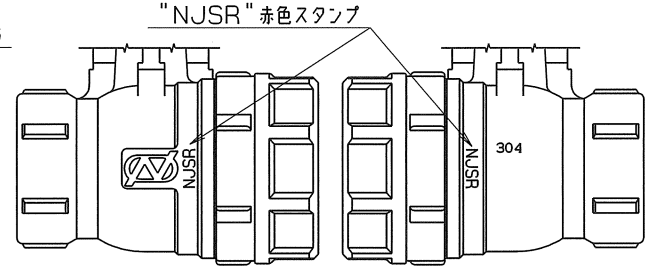
NJSR

SIZE	PIPE THREADS		P	L	H	W	A	L <sub>1</sub>	D	Q, TY
	d									
50Sux1 1/2	Rc 1 1/2		32	112.5	96	170	50	52.5	71	
60Sux2	Rc 2		40	129.5	102	170	60	57.5	86	

SPEC.			TEST PRESS.	
FLUID			SHELL	HYDRO 3.5 MPa
PRESS.	MAX	MPa	SEAT	AIR 0.6 MPa
TEMP.	MAX	℃	AIR	MPa



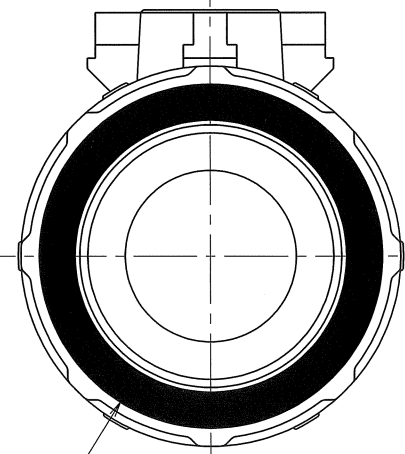
A部詳細図



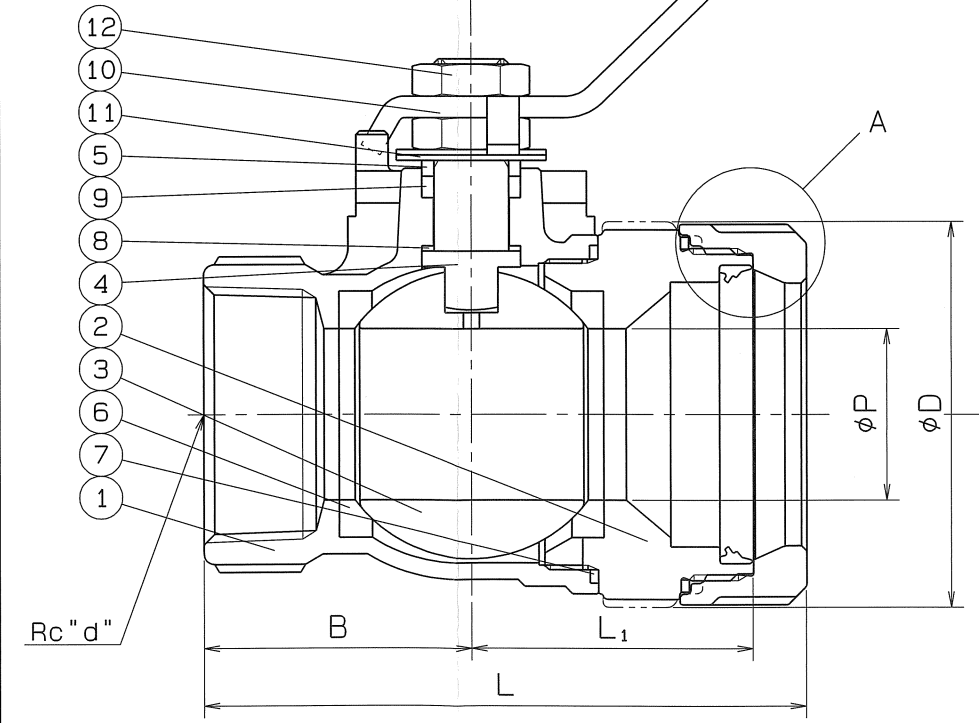
外観図

PIPE THREADS CONFORM WITH "JIS B 0203"  
\*MODIFIED P.T.F.E.

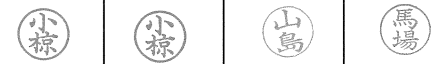
No.	NAME OF PARTS	Q.TY	MATERIALS
15	LOOSE STOPPER	1	SUS 304CSP
14	RUBBER PACKING	1	SYNTHETIC RUBBER (NJSR)
13	RATCHET NUT	1	SCS 13
12	HEXAGON NUT	2	SUS 304
11	CONICAL WASHER	2	SUS 304
10	HANDLE	1	SUS 304
9	GLAND PACKING	1	P.T.F.E.
8	THRUST PACKING	1	P.T.F.E.
7	GASKET PACKING	1	P.T.F.E.
6	BALL SEAT	2	P.T.F.E. CARBON FILLED
5	GLAND	1	SUS 316
4	STEM	1	SUS 316
3	BALL DISC	1	SCS 13A
2	BODY CAP	1	SCS 13
1	BODY	1	SCS 13



ナット端面赤色スタンプ



NAME	NICE JOINT AND SCREWED ENDS MINI BALL VALVES			REMARKS
TYPE	NJX-610	SIZE	50, 60 Su	
DMG.No.	XBAMS-0032	DATE	NOV. 6.2023.	
THIRD ANGLE PROJECTION METHOD	SCALE			:
APPROVED	CHECKED	DESIGNED	DRAWN	



**O. N. INDUSTRIES LTD.**